



NO.1585

The Company has the right of final interpretation of this instruction manual statement.

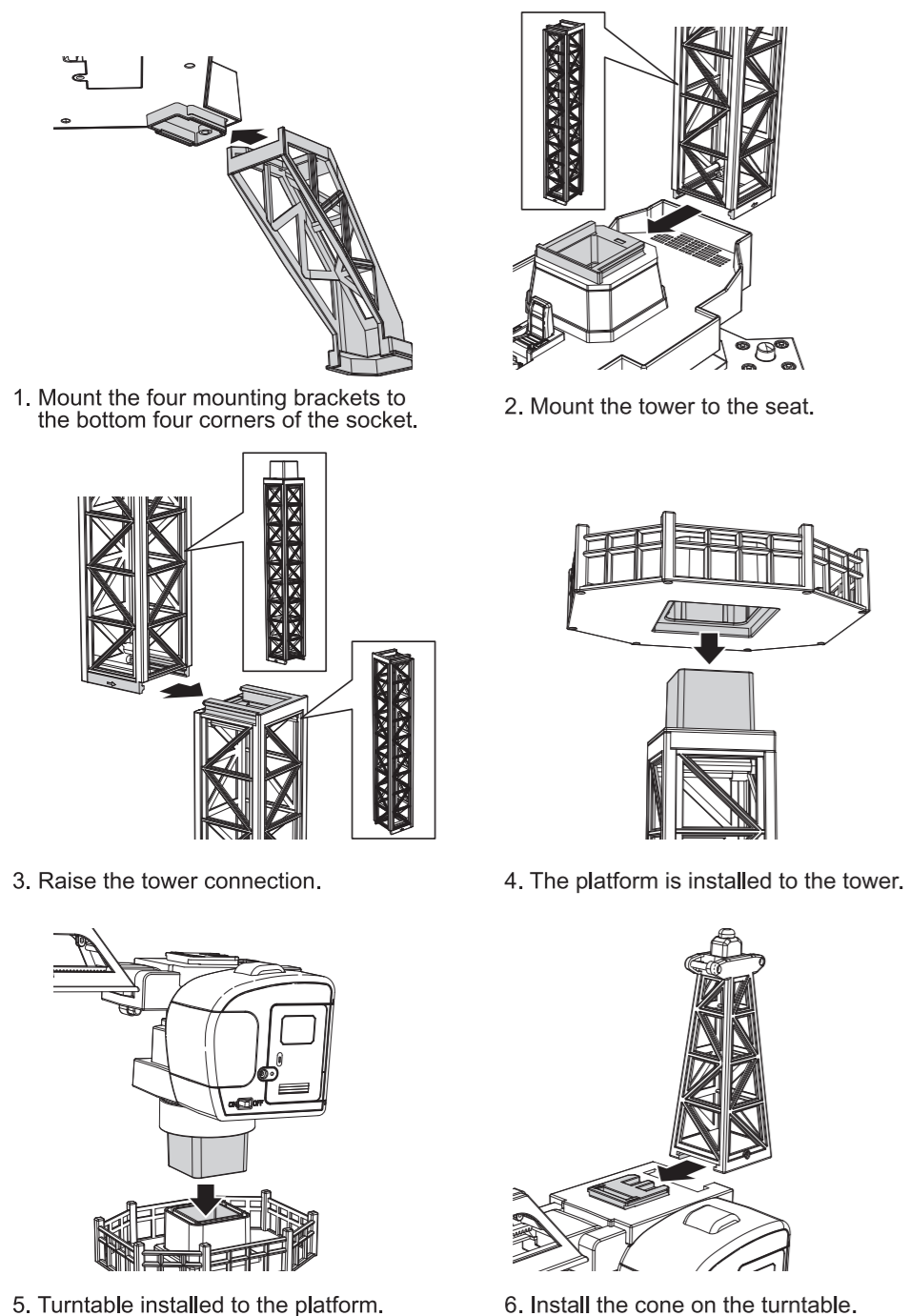
MADE IN CHINA



HUI NA 12CH REMOTE CONTROL TOWER CRANE

USER'S GUIDE

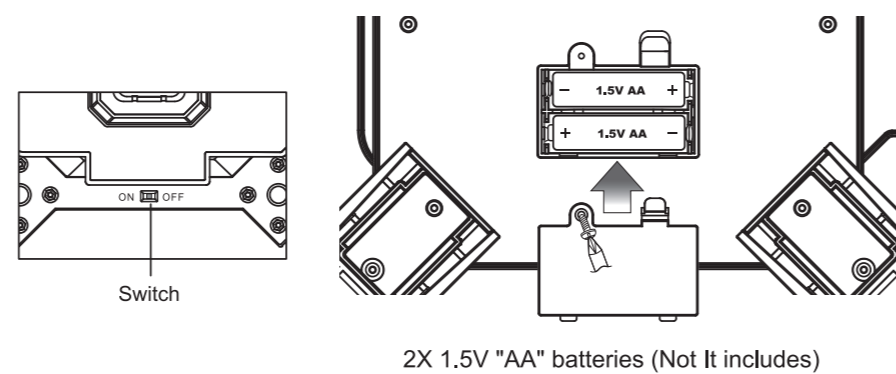
TOWER CRANE INSTALLATION



5

TOWER CRANE BASE BATTERY INSTALLATION INSTRUCTIONS

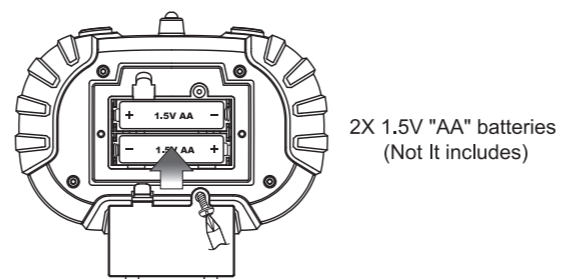
Open the base battery cover, install 2X 1.5V "AA" batteries, and close the batteries cover, tighten the screws.



2X 1.5V "AA" batteries (Not It includes)

INSTALLATION OF REMOTE CONTROL BATTERY

Open the remote control battery cover, install 2X 1.5V "AA" batteries, and close the batteries cover, tighten the screws.



2X 1.5V "AA" batteries (Not It includes)

BATTERY INSTALLATION INSTRUCTIONS:

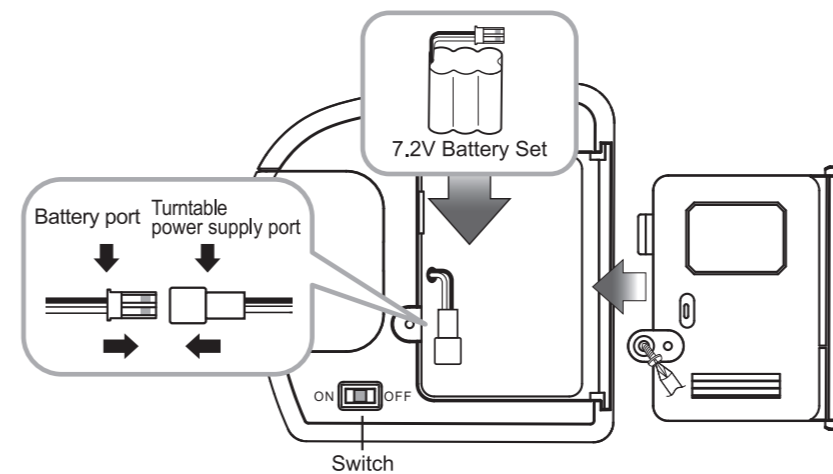
1. Take out and install battery correctly.
2. The non-rechargeable battery can't be charged.
3. The rechargeable battery can only be charged under custody of adults;
4. Different batteries or new and old batteries can't be used together;
5. Battery of same model or recommended model can be used;
6. The rechargeable battery should be taken out from model before charging.
7. Battery should be placed with correct polarity;
8. The exhausted battery should be taken out from model;
9. Short-circuit of battery terminal is forbidden;

2

In order to more rapidly and freely operate the remote-controlled model, please read the instructions before usage. The packages and instructions contain important information, please keep them well. In case the product figure differs from real object, the real object will prevail.

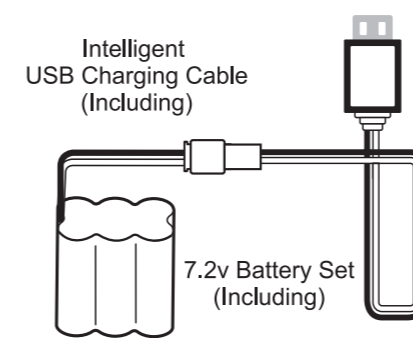
RTHE TOWER CRANE TURNTABLE BATTERY INSTALLATION

Open the tower crane turntable battery cover, install 7.2V charging batteries set, Cover the battery cover and tighten the screws.



BATTERY CHARGING INSTRUCTIONS

1. Connection LED lights lit;
2. Charging LED lights flash slowly;
3. Full LED light goes out;



- Mode 1 connect to the computer USB charging
- Mode 2 Connect the USB adapter charge
- Mode 3 charging a mobile charging treasure

1

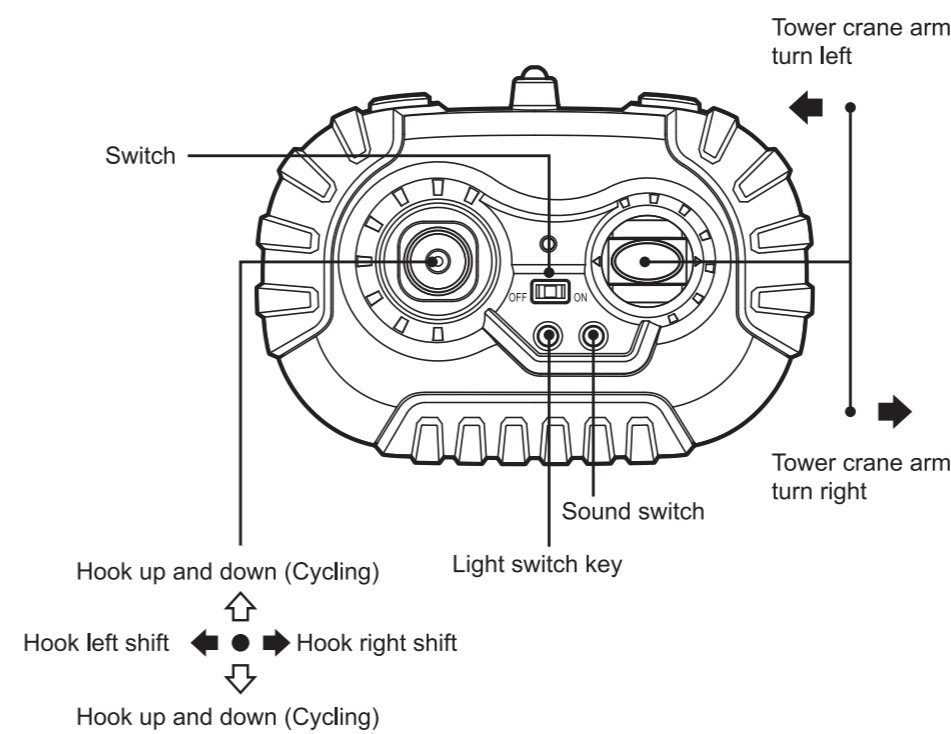
REMOTE CONTROL FREQUENCY PAIRING AND POWER ON

This product uses 2.4GHz frequency remote control, before the play, should be on the remote control and the tower crane frequency matching; First tower crane and remote control to install the battery and turn on the power.

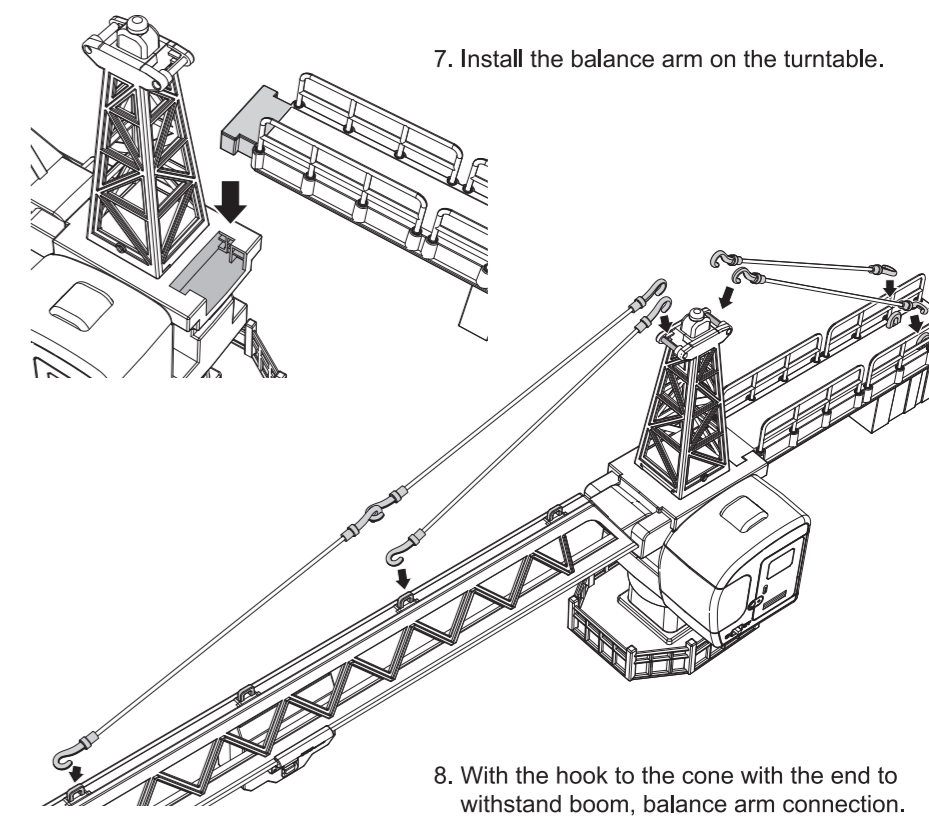


At this point the remote will automatically find the frequency, the indicator blinking. When the remote control indicator stops flashing, Tower crane will issue a "beep" sound, frequency matching completed. Press any key to start the tower crane sound effect, the remote control function can be used normally.

FUNCTION INTRODUCTION OF REMOTE CONTROL



3

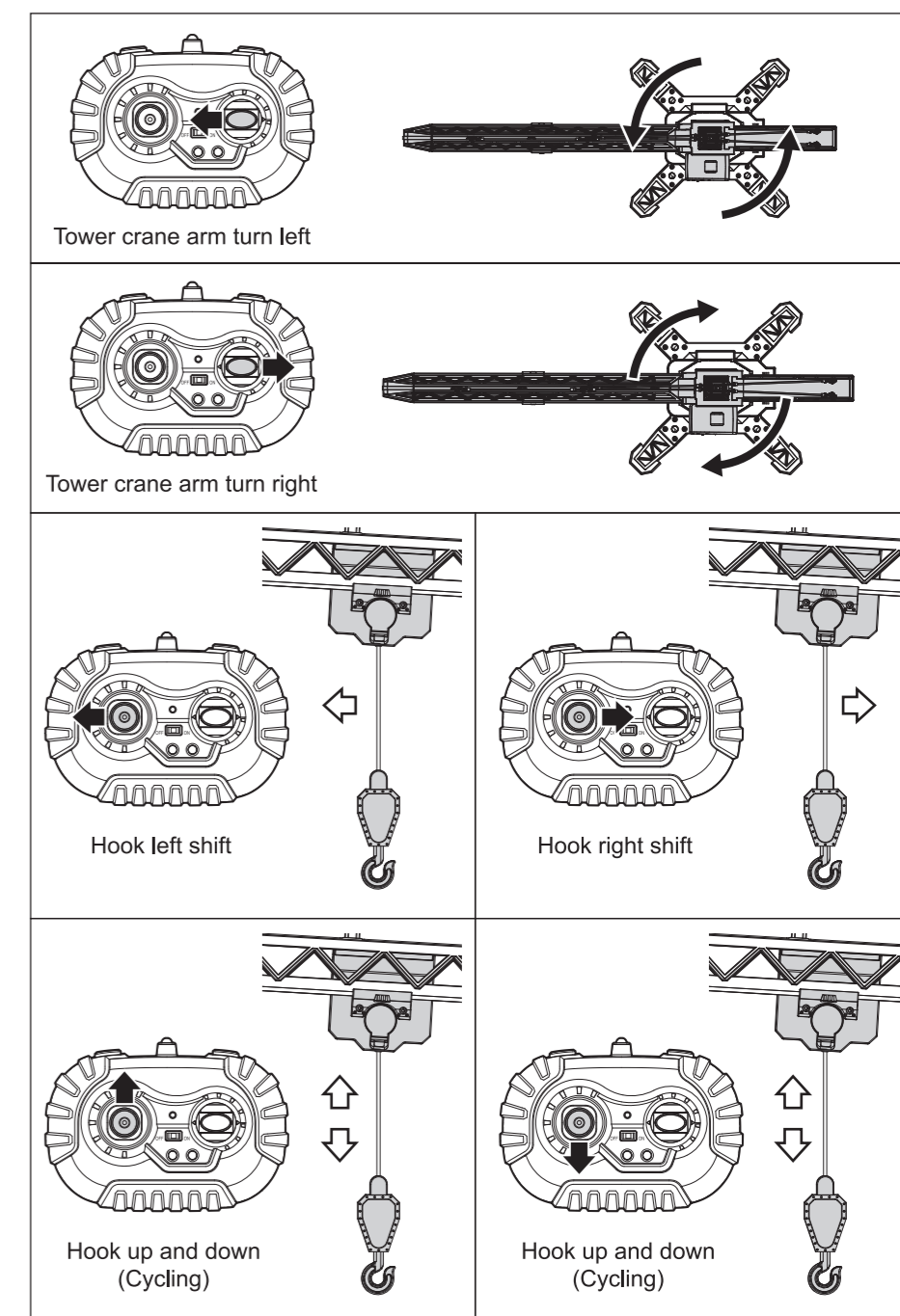


BATTERY USE INSTRUCTION AND CAUTIONS:

1. Batteries must be inserting with the correct polarity. Do not mixed different types of batteries or new and used batteries.
2. Only the recommends or the same types batteries use with the.
3. The supply terminals can not be short circuited.
4. Exhausted batteries must be removed from the car.
5. Non-rechargeable batteries should not be charged. The batteries are only to be charged under adult supervision.
6. The batteries must be removed from the toy before charging.
7. The user need to be regularly examined for the damage of the wire, plug, shell and related part, in the event of such damage, stop using until the damage has been repaired. Do not break off the antenna of the controller, or the sharp part may cut you.
8. The tower crane turntable use 7.2V chargeable battery set, Tower crane base use 2x1.5V "AA" alkaline non-rechargeable battery. R/C controller should use 2x1.5V "AA" alkaline non-rechargeable battery.

6

FUNCTIONAL OPERATING INSTRUCTIONS



4